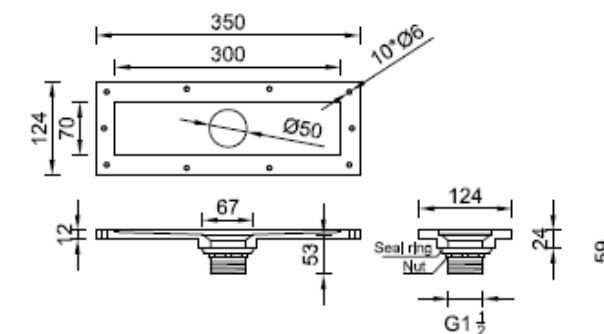
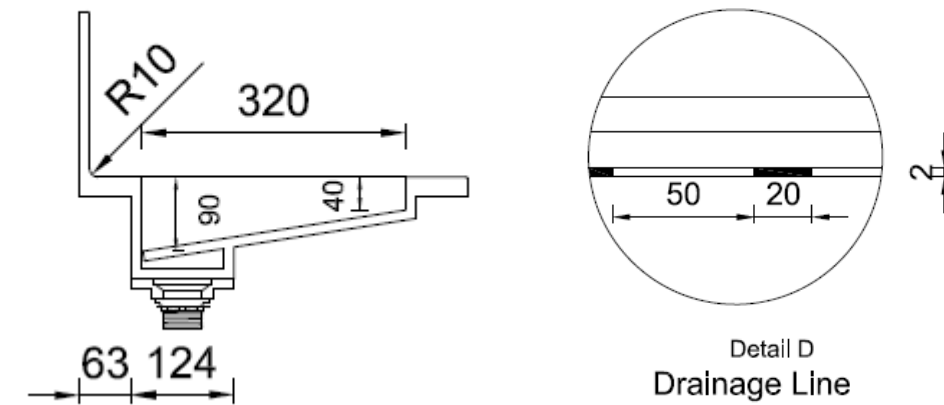
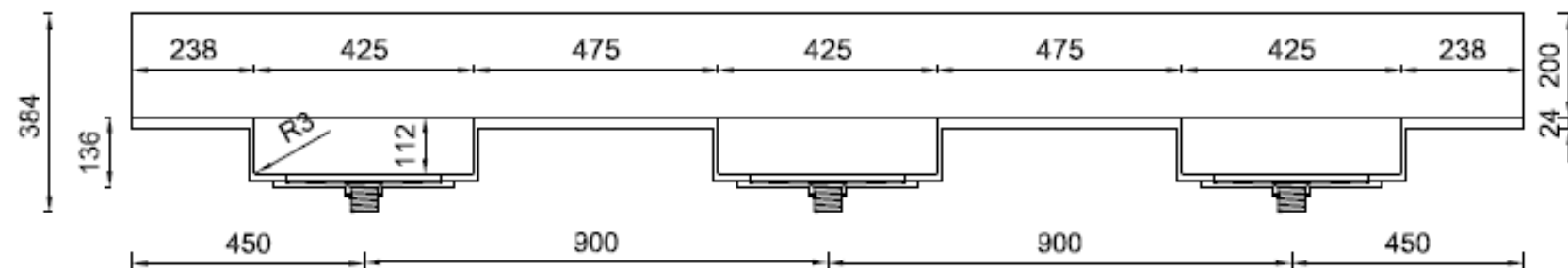
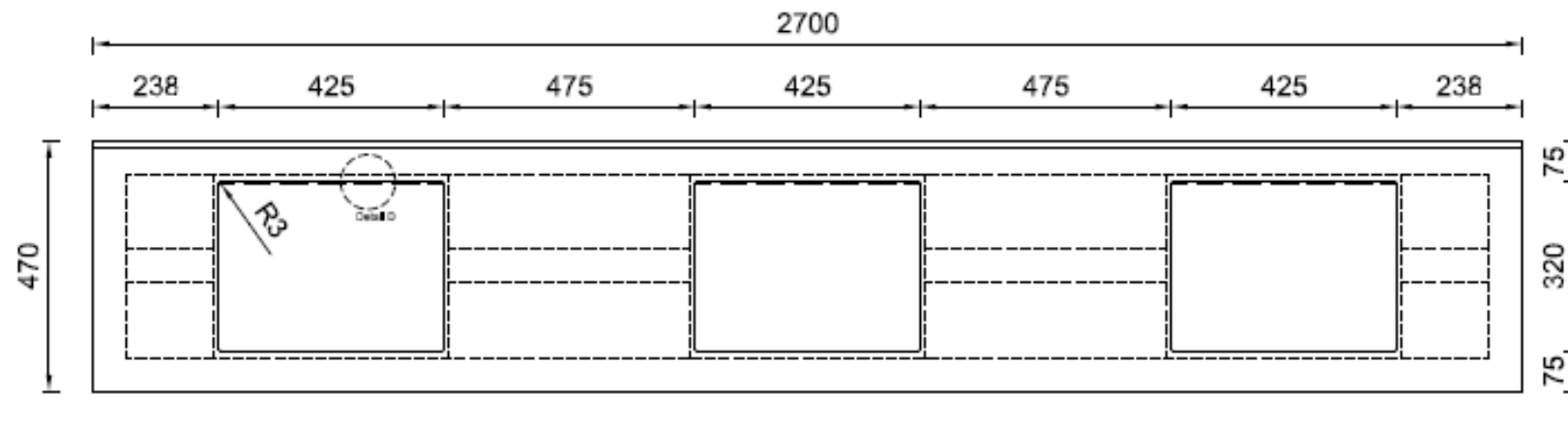


# Corian® Specification Sheet : 4223 Washplane

[Revised November 2019]

## Notes:

- Tap hole cutouts not included, drawing for location reference only.
- All external edges sanded to 2mm radius
- Top surface sanded to semi-gloss finish



Waste Kit



Head Office & Showroom

2/5-11 Mellor St, West Ryde NSW 2114

P: 1300 795 485 E: info@scfinteriors.com.au



|   |                                       |
|---|---------------------------------------|
| 3 | 3 waste fittings, pre-assembled to #2 |
| 2 | 3 waste kits, pre-assembled to #1     |
| 1 | 1 Corian Washplane 4223               |
| # | Packing List                          |