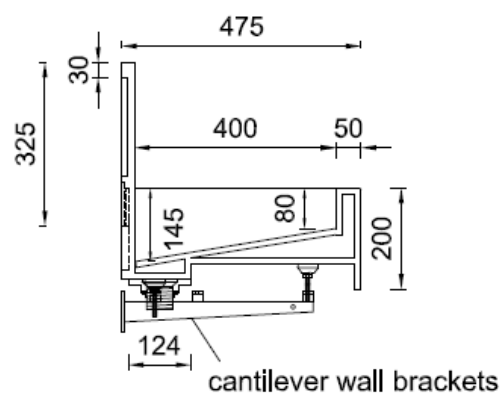
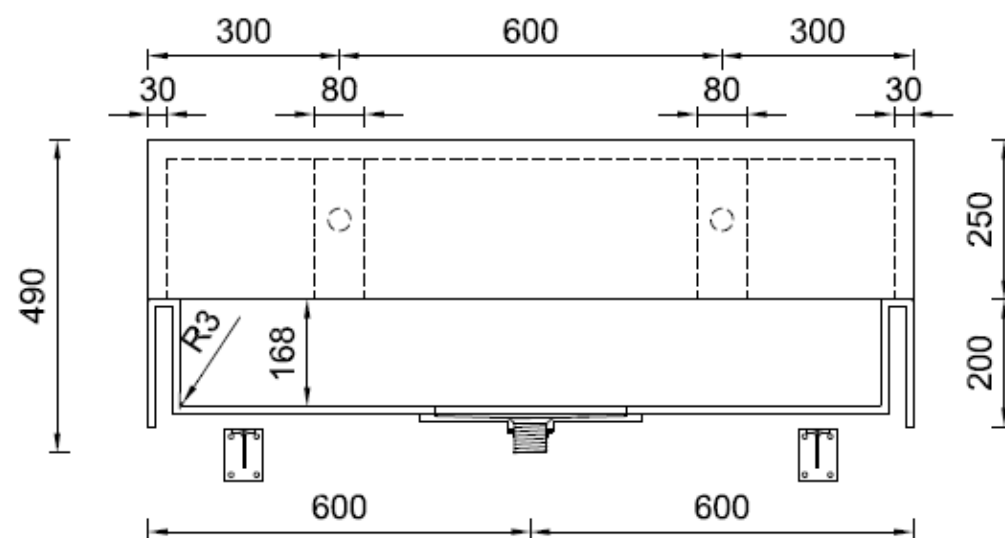
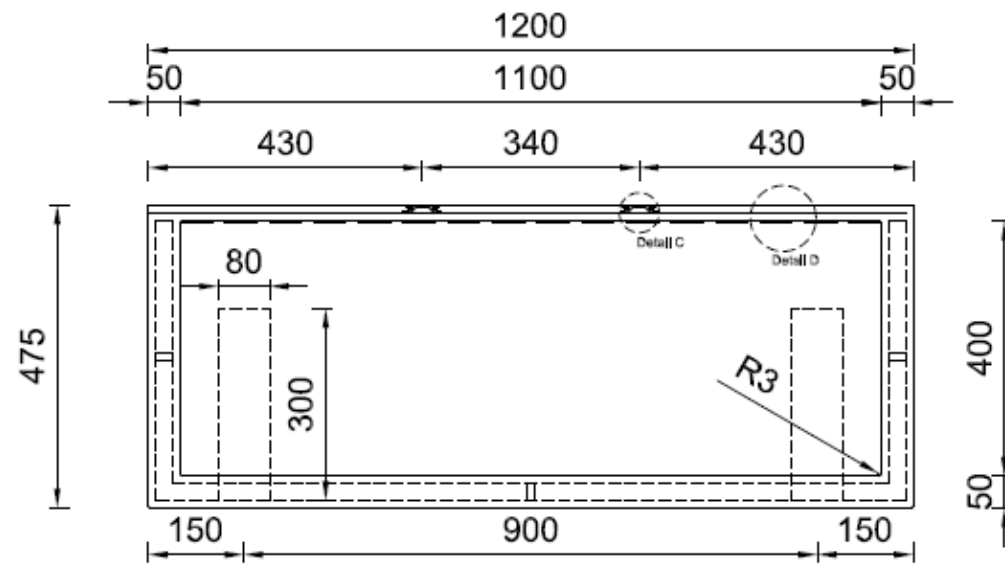


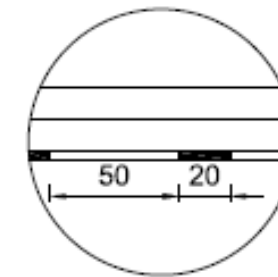
Corian® Specification Sheet : 3222 Washplane

[Revised November 2019]

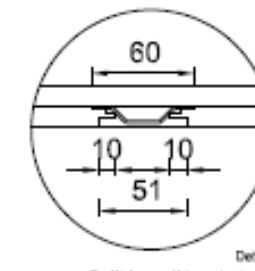


Notes:

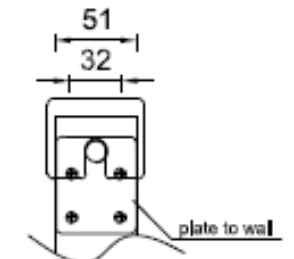
Tap hole cutouts not included, drawing for location reference only.
All external edges sanded to 2mm radius
Top surface sanded to semi-gloss finish



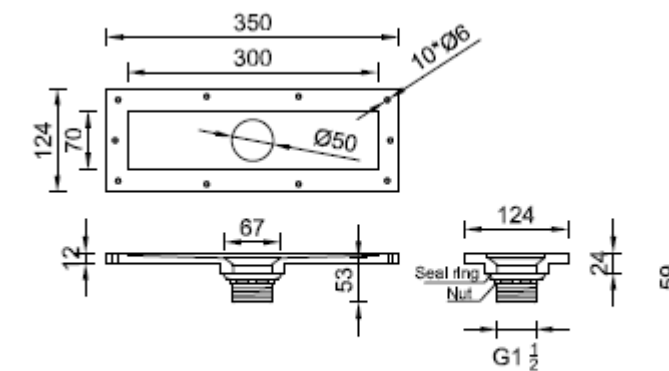
Detail D
Drainage Line



Detail C
Built in wall bracket plate



Wall hang illustration



Waste Kit

6	1 plywood wall bracket template
5	2 wall bracket fixing plates & screws
4	2 x 380mm adjustable cantilever wall brackets & screws
3	1 waste fitting, pre-assembled to #2
2	1 Corian waste kit, pre-assembled to #1
1	1 Corian Washplane 3222
#	Packing List



Head Office & Showroom

2/5-11 Mellor St, West Ryde NSW 2114
P: 1300 795 485 E: info@scfinteriors.com.au

