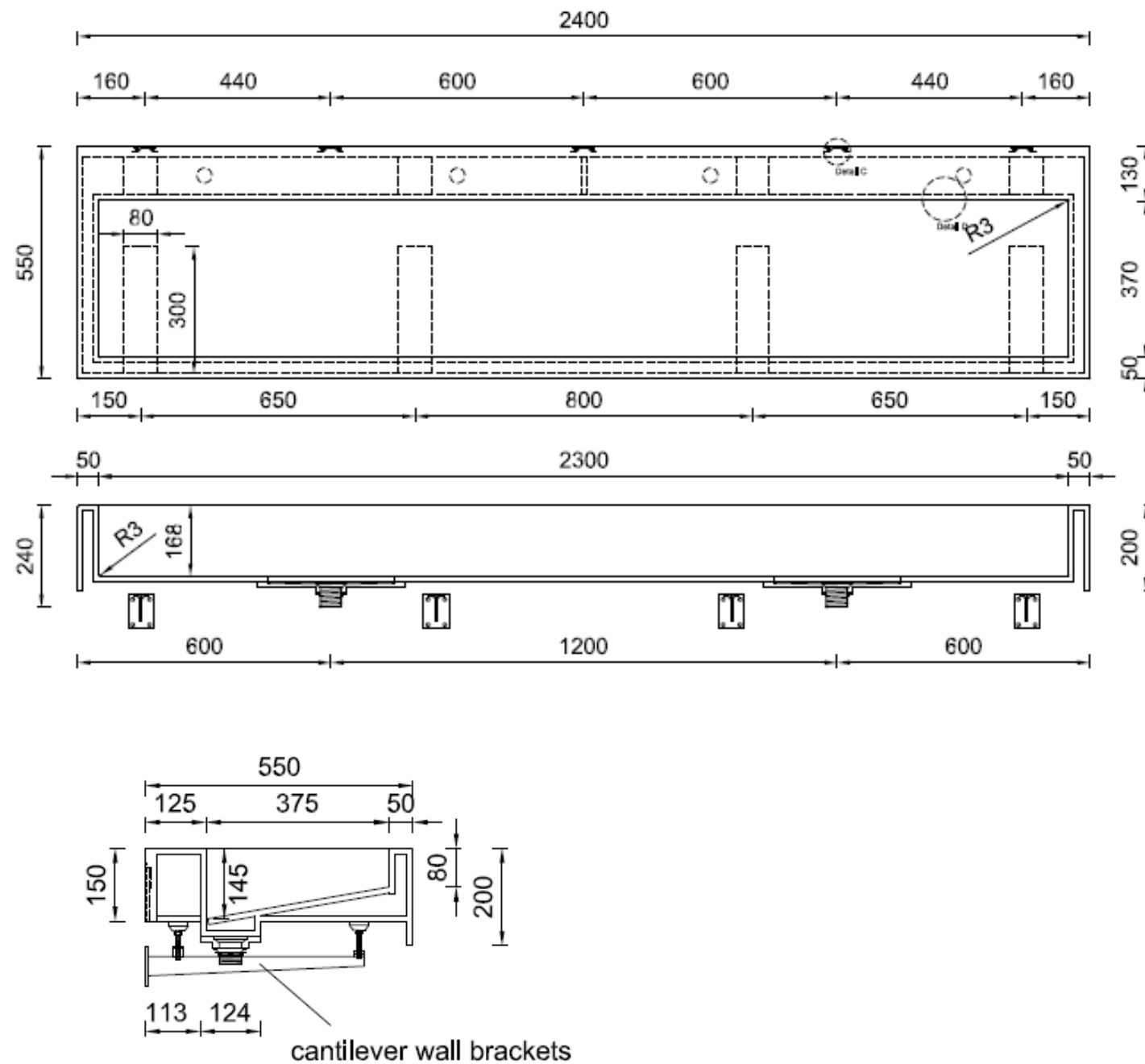


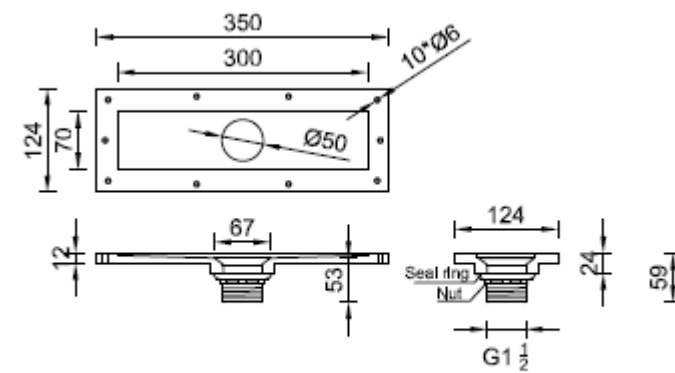
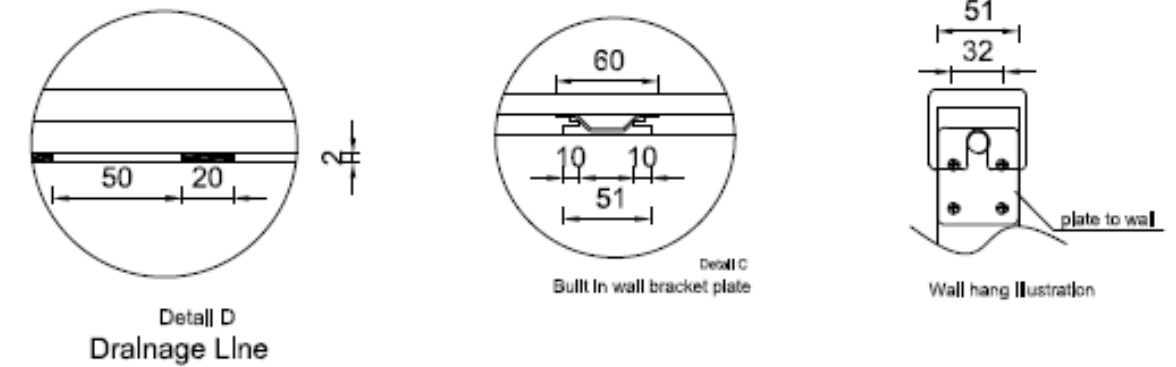
Corian® Specification Sheet : 3214 Washplane

[Revised November 2019]



Notes:

Tap hole cutouts not included, drawing for location reference only.
 All external edges sanded to 2mm radius
 Top surface sanded to semi-gloss finish



Waste Kit

6	1 plywood wall bracket template
5	5 wall bracket fixing plates & screws
4	4 x 450mm adjustable cantilever wall brackets & screws
3	2 waste fitting, pre-assembled to #2
2	1 Corian waste kit, pre-assembled to #1
1	1 Corian Washplane 3214
#	Packing List

CASF Australia
 Unit 3, 208 Walters Road, Arndell Park NSW 2148
 Tel: 1300 795 044
 Email: projects@casf.com.au

